

# MINISTRY OF EDUCATION, HERITAGE & ARTS

## WORKSHEET 10 YEAR 12 2021

### TECHNICAL DRAWING

#### STRAND 1(11.3.3): APPLIED DRAWING

##### INSTRUCTIONS:

1. Use your exercise book to do all the questions given below.
2. All measurements are in millimeters
3. Show all your construction lines clearly.

NAME:

**SECTION B**

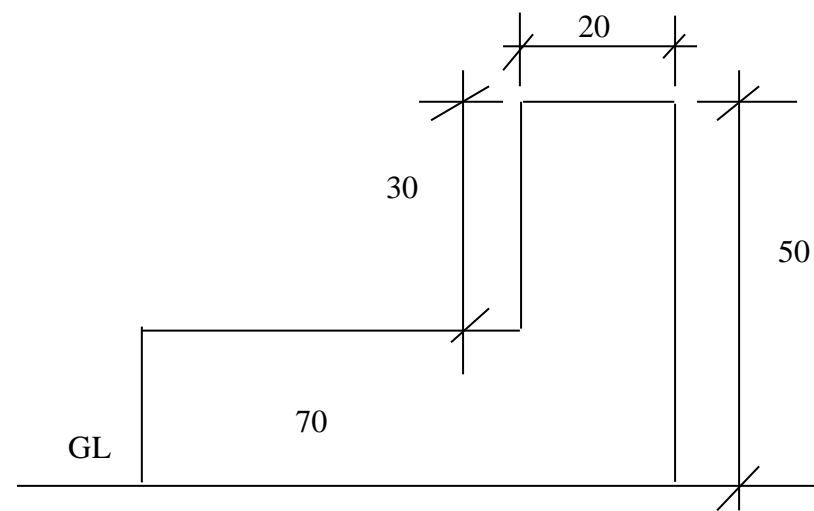
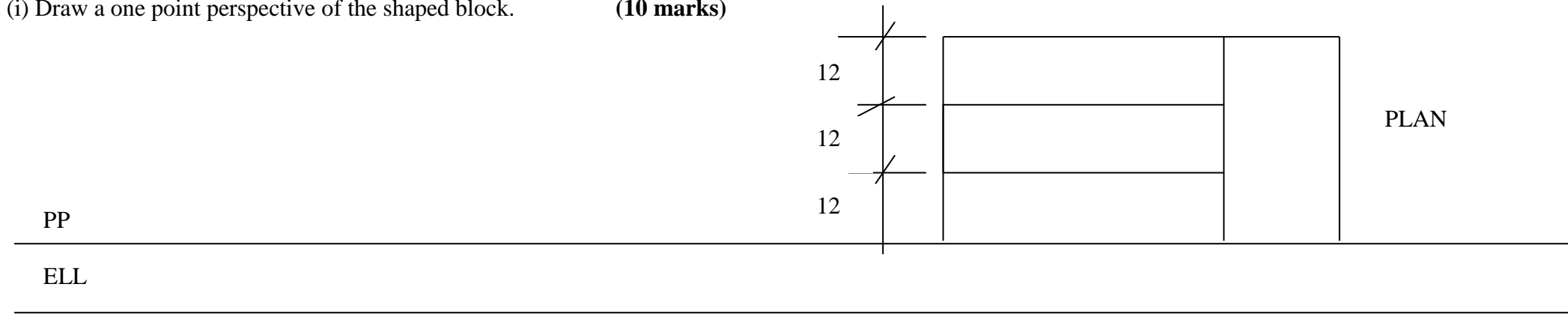
**QUESTION 1**

(20 marks)

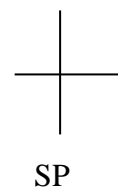
**PART A**

**Given:** The Plan and Elevation of a shaped block resting on the picture plane.

**Required:** (i) Draw a one point perspective of the shaped block. (10 marks)



FRONT ELEVATION



BQ1A			
1	Correct VP	1	
2	Correct height line	1	
3	Correct elevation drawn	2	
4	Correct projection line	3	
5	Correct edges drawn	2	
6	Correct lines shown on the SP	2	
7	Correct length	2	
8	Correct width drawn	2	
9	Correct height	2	
10	Correct method	2	
11	Accuracy	1	